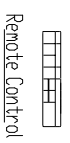
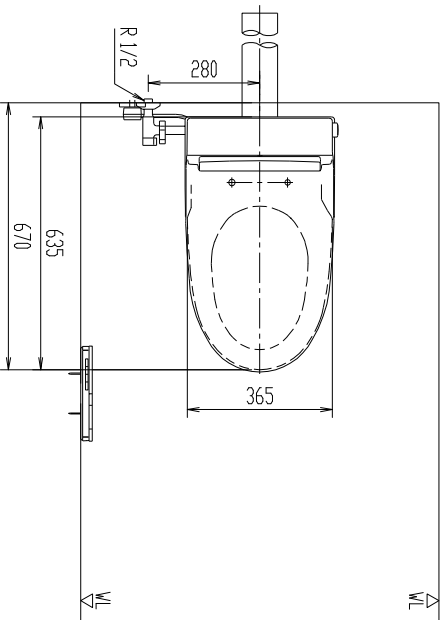


SATIS

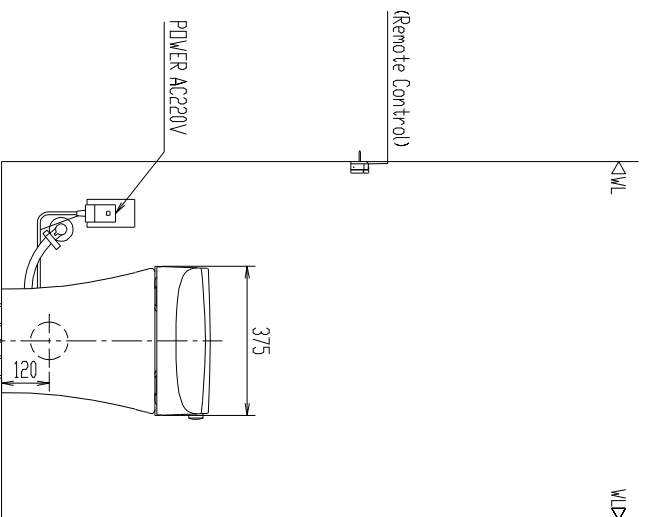
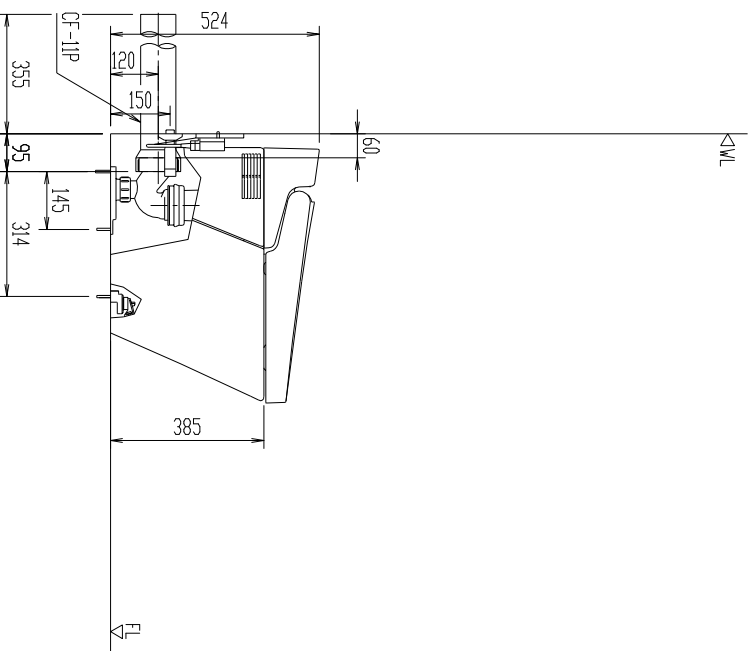
FLUSHING WATER VOLUME

FULL 5.0 LPF, PARTIAL 3.5 LPF

Part ND.	Part name	QTY
YBC-S20P-W	TOILET BOWL	1
DV-S618P-VH-W-BF	FUNCTIONING UNIT	1
CF-11P	STRAIGHT DRAIN PIPE	1



Remote Control



* Operating pressure range is as below :
 Minimum-0.10MPa. or more Flowing
 (when water flow is 17L/min or more)
 Maximum-0.75MPa. static

unit : mm

SCALE			
1:20			
DATE	TITLE	Production drawing per unit	
Jul 26, 2016		LIXIL Corporation	